



SMARTWASH[®] ESSENTIALS

AUTOMATIC CARPET CLEANER

USER GUIDE

FACSCW23L



IMPORTANT SAFETY INFORMATION

This machine is intended for household use only and NOT for commercial or industrial use. PLEASE KEEP INSTRUCTIONS FOR FURTHER USE AND USE ONLY AS INSTRUCTED IN THIS GUIDE. WARNING! When using an electrical product, basic precautions should always be followed to avoid electric shock, fire, and/or serious injury, including the following:

- Fully assemble product prior to use.
- Operate cleaner only at voltage specified on data plate on lower back of cleaner.
- Do not leave appliance when plugged in. Unplug from outlet when not in use and before cleaning or servicing.
- Don't use the machine to pick up any flammable or combustible materials (lighter fluid, petrol, kerosene etc.) or use the machine in an area with explosive vapours.
- Don't use the machine to pick up hot coals, cigarette butts, matches or smoking hot burning items or use in an area where there may be harmful fluids (chlorine, bleach and ammonia drain cleaner).
- Do not pull or carry by cord, use cord as a handle, close a door on cord, or pull cord around sharp edges or corners. Do not place product on cord. Do not run appliance over cord. Keep cord away from heated surfaces.
- Do not unplug by pulling on cord. To unplug, grasp the plug, not the cord.
- Do not handle plug or appliance with wet hands.
- Don't attempt to remove blockages with sharp objects as this may cause damage to the machine.
- Don't over fill the dirty water tank to avoid blocking the air flow through the machine.
- Never use the cleaner on one spot for an extended period of time as the brush roll may damage the floor surface.
- Do not immerse cleaner in water.
- Use extra care when cleaning on stairs. To avoid personal injury or damage, and to prevent the cleaner from falling, always place cleaner at bottom of stairs or on floor. Do not place cleaner on stairs or furniture, as it may result in injury or damage.
- Connect to a properly grounded outlet only. See Grounding Instructions.
- Do not clean over floor electrical outlets.
- Store appropriately indoors in a dry place. Do not expose machine to freezing temperatures.
- To help prevent matting and resoiling, avoid contact with carpets until they are dry. Keep children and pets away from carpets until they are completely dry.
- Do not store cleaner with solution in tanks.
- Do not use this product on hard floors. Using this product on hard floors may scratch or damage your floor.
- Keep all openings clear and free from debris as this may affect the airflow/suction.

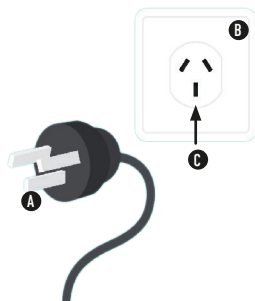
IMPORTANT SAFETY INFORMATION

- Only use the machine indoors and keep the area you're cleaning well lit.
- Do not use product with damaged cord or plug. If product is not working as it should, has been dropped, damaged, left outdoors, or dropped into water, please call customer service on 1300 698 130 (AUS) / 0800 126 688 (NZ) prior to continuing use.
- This appliance is not intended for use by persons (including children) with reduced physical, sensory or mental capabilities, or lack of experience and knowledge, unless they have been given supervision or instruction concerning use of the appliance by a person responsible for their safety.
- Children should be supervised to ensure that they do not play with the appliance.
- Keep fingers, hair and loose clothing away from moving parts and openings whilst using the machine.
- Store the machine in a cool, dry area. Keep the machine away from rain and moisture.
- Use only Australian/New Zealand approved 10amp extension cords, non-approved extension cords may overheat. Care should be taken to arrange the extension cord as it can be a trip hazard.
- To prevent any damage being sustained, test on an inconspicuous area of the flooring first.
- Do not use without filter and tanks in place.
- Always check the floor head is free from damage, dirt and debris before using.
- To reduce the risk of fire and electric shock, due to internal component damage, use only Hoover® cleaning solutions intended for use with this appliance.
- Use only manufacturer's recommended attachments.
- To assist in reducing drying time, be certain the area is well ventilated.
- Water will drip from the brushes and underside of the product after use and may puddle. To avoid damage to wood and laminate flooring and to avoid potential slip hazard, after use (a) do not leave the product on wood and laminate surfaces and remove to a hard surface and (b) place unit on absorbent material (such as a towel) to soak up drips.
- This cleaner is only intended for use on carpets and upholstery.

IMPORTANT SAFETY INFORMATION

GROUNDING INSTRUCTIONS

- This appliance must be grounded. If it should malfunction or breakdown, grounding provides a path of least resistance for electric current to reduce the risk of electric shock. This appliance is equipped with a cord having an equipment-grounding conductor (C) and grounding plug (A). The plug must be inserted into an appropriate outlet (B) that is properly installed and grounded in accordance with all local codes.



WARNING:

- Improper connection of the equipment-grounding conductor can result in the risk of electric shock. Check with a qualified electrician or service person if you are in doubt as to whether the outlet is properly grounded. Do not modify the plug provided with the appliance - if it will not fit the outlet, have a proper outlet installed by a qualified electrician.
- The motor is equipped with a thermal cut-out. If for any reason the machine should overheat, the thermostat will automatically turn the machine off.
- Should this occur, unplug the machine from the electrical outlet and turn off the switch. Allow the machine to cool for approximately one (1) hour before reusing.
- Hoover recommends the use of a Residual Current Device rating of 30mA or less.

Technical Specifications	FACSCW23L
Product Description	Hoover Smartwash Essentials Automatic Carpet Cleaner
Wattage	1200W
Voltage	200-240V-50Hz
Product Weight	7.88kg
Clean Water Tank Capacity	3.8L
Dirty Water Tank Capacity	2.1L
Cord Length	9m

Subject to technical change without notice.

Description of Symbols



Regulatory
Compliance
Mark



For Indoor
Use Only



Read User
Manual

IPX4

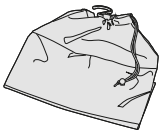
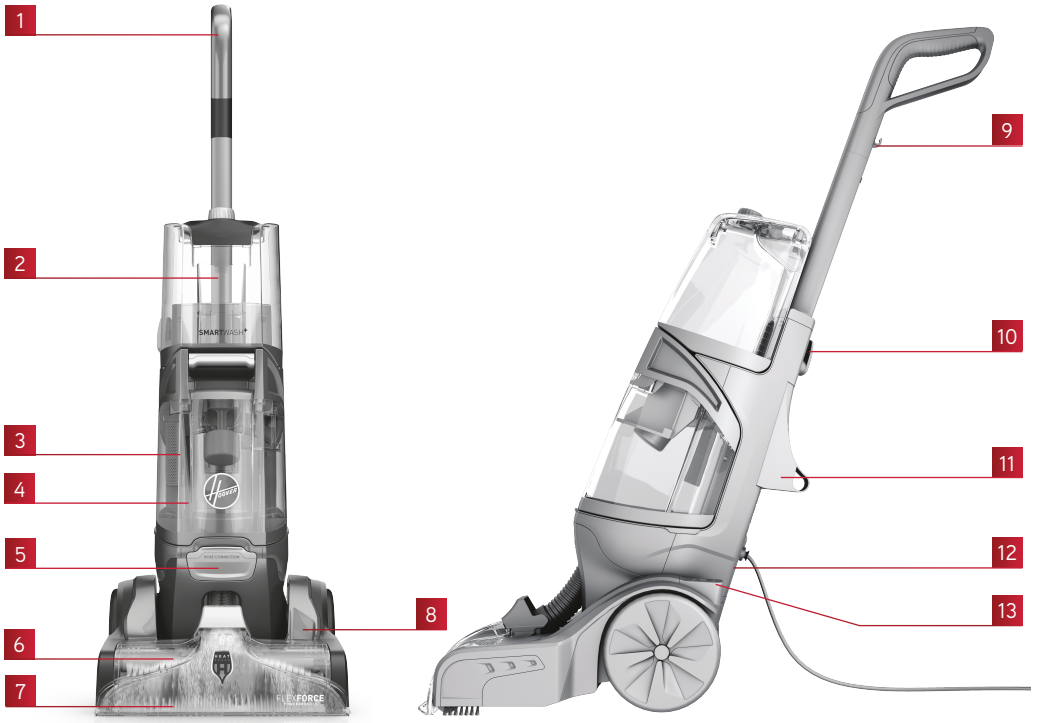
IP Rating

DISTRIBUTED BY:

Techtronic Industries Australia Pty Ltd
31 Gilby Road, Mount Waverley, VIC 3149, Australia
Web Address: www.hoover.com.au
Customer Careline: 1300 698 130

Techtronic Industries N.Z. Limited
Unit C, 70 Business Parade South, East Tamaki, Auckland 2013, New Zealand
Web Address: www.hoover.co.nz
Customer Careline: 0800 126 688

MACHINE OVERVIEW



14



15



16



17

- 1 HANDLE
- 2 CLEAN WATER TANK
- 3 FILTER
- 4 DIRTY WATER TANK
- 5 HOSE CONNECTION
- 6 FLEXFORCE POWERBRUSH
- 7 NOZZLE

- 8 LED DISPLAY
- 9 CORD HOOK
- 10 CORD WRAP
- 11 CARRY HANDLE
- 12 HANDLE RELEASE PEDAL (HIDDEN)

- 13 ON/OFF PEDAL
- 14 STORAGE BAG
- 15 2.4M HOSE
- 16 UPHOLSTERY TOOL
- 17 TRIAL SOLUTION

IMAGES ARE ILLUSTRATIVE ONLY AND NOT TO SCALE.

PREPARATION

- Vacuum carpet and upholstery thoroughly before use.
- Don't use the carpet cleaner as a traditional vacuum cleaner.
- Check the label on your upholstery to make sure it is suitable for wet cleaning before using your HOOVER® carpet cleaner.
- **Test for colourfastness** by wetting a white absorbent cloth with the solution. In a small hidden area of your carpet/rugs/upholstery, gently rub with the dampened cloth. Wait ten minutes and check for colour removal or bleed with white paper towel or cloth. Check all carpets/rugs/upholstery material before first use and if your carpet has more than one colour, check all colours.
- Move furniture out of area to be cleaned. Place aluminium foil or wax paper under legs of furniture too heavy to move to prevent wood finishes from staining carpet. Pin up furniture skirts and drapes.
- To avoid damage to wood floors underneath area rugs or carpet, place waterproof material (such as plastic) underneath them before cleaning.
- For best results, pretreat stains with a HOOVER® pre-treatment solution to help loosen and remove even the most stubborn stains.

DON'T FORGET YOUR SOLUTIONS

PICK UP HOOVER® SOLUTIONS
FOR PROVEN PERFORMANCE



TO VIEW THE FULL HOOVER® SOLUTIONS RANGE VISIT

HOOVER.COM.AU / HOOVER.CO.NZ

GETTING STARTED

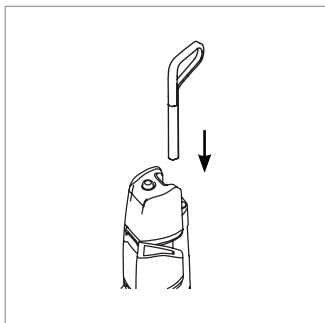
ASSEMBLY

IMPORTANT: Fully assemble product prior to use. When using the machine, basic safety precautions should always be observed. Take care not to oversaturate flooring. Continue using dry strokes until little water is visibly passing through the nozzle. For best results, HOOVER® recommends rinsing carpet with water only. This removes residual carpet cleaning solution, especially for heavily soiled areas. Avoid saturating carpet.

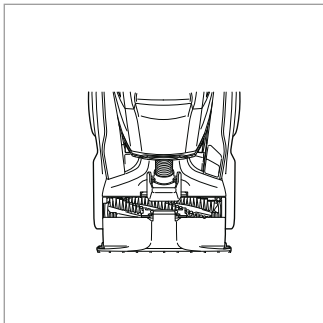
The water/solution tank should only be filled with warm water (max 40°C). Filling the water/solution tank with hot/boiling water will damage your cleaner.

Empty and rinse out the dirty water tank and leave to air dry before storage. Do not leave water/solution in the tanks for a prolonged period. A small amount of water/solution can be left in the tank for short periods of time in between cleans if the machine is used regularly.

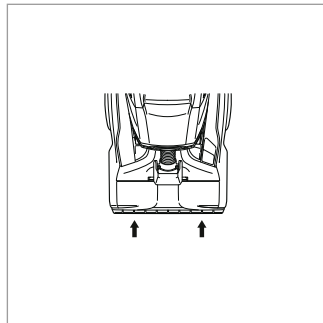
For prolonged storage, ensure that the brush roll is cleaned and dried.



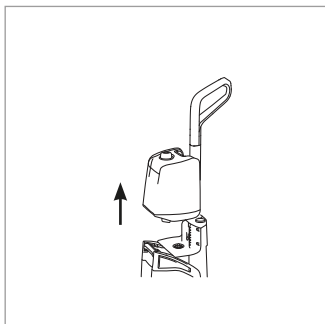
Push the handle into the main body until it clicks into place.



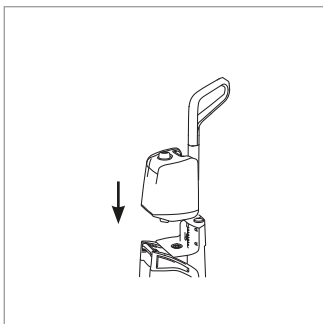
Position Nozzle onto floorhead, making sure to align the tabs at the top of the Nozzle with the notches inside the floorhead.



Slide Nozzle forward to snap into position.



Remove the Clean Water Tank. Remove the cap. Add 20ml of Hoover® solution to each litre. Add warm water (max 40°C) to the top of the tank. Secure cap.



Align Clean Water Tank with the body of the cleaner and press FIRMLY into place.

CAUTION: Do not clean over floor electrical outlets. Water will drip from the brush and underside of the product after use and may puddle. To avoid damage to wood and laminate flooring and to avoid potential slip hazard, after use (a) do not leave the product on wood and laminate surfaces and move to a hard surface and (b) place cleaner on an absorbent material (such as a towel) to soak up drips.

HOW TO CLEAN CARPETS

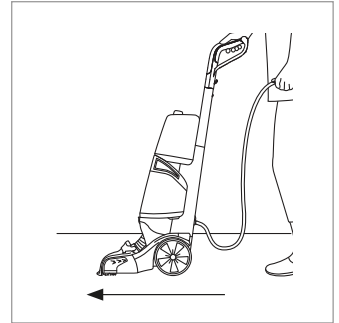
NOTE: Vacuum carpet and upholstery thoroughly with a vacuum before using the carpet cleaner.



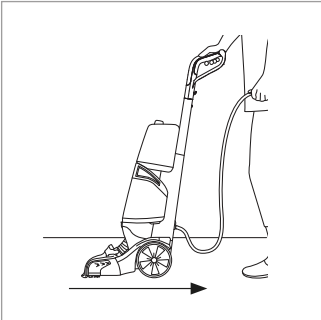
Unwrap the power cord and plug cleaner in an electrical outlet. Step on the grey Handle Release Pedal to recline the cleaner to cleaning position.



Step on the red On/Off Pedal to turn ON.

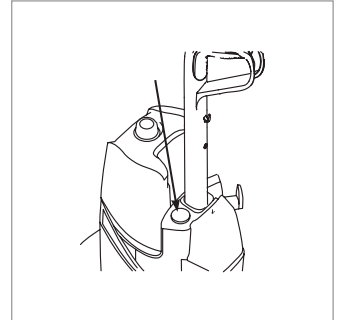


Slowly move forward. The cleaner will automatically dispense the optimal amount of water and cleaning solution.



Slowly pull backward. The cleaner will automatically dry your carpets by extracting the water and cleaning solution.

NOTE: For best results, Hoover® recommends rinsing the carpet with clean water only. This will remove residual carpet cleaning solution from your carpets. To rinse with clean water only, fill clean water tank with clean water only and then repeat the previous two steps.

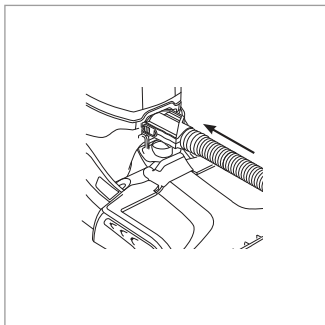


When you finish cleaning but further drying is required, press the DRY ONLY BUTTON. The Dry Only mode will extract remaining water from your carpet. Continue in this mode until little water is visibly passing through the Nozzle.

OPERATION

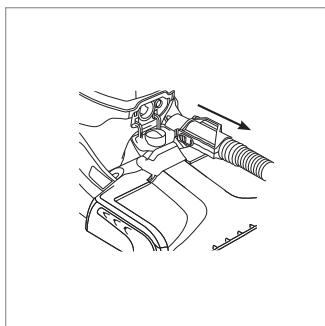
CAUTION: ALWAYS SWITCH OFF THE MACHINE BEFORE CONNECTING OR DISCONNECTING HOSE.

ATTACHING THE HOSE

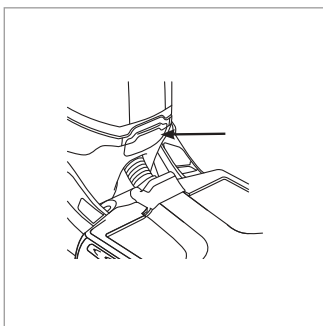


Open Hose Connection Port. Insert hose end by inserting **FIRMLY** into Hose Solution Port.

REMOVING THE HOSE



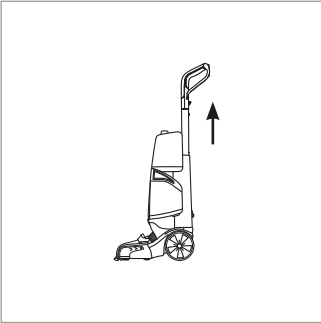
Press button on end of hose and pull to remove hose and solution connection from unit.



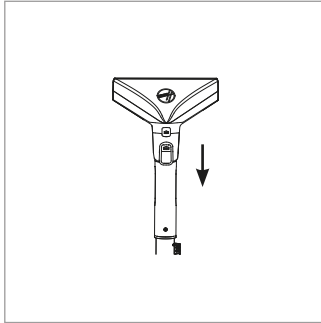
Close the Hose Port Door back into place. Make sure to close door to ensure proper suction. Cleaner may lose suction if not closed properly.

CAUTION: ALWAYS SWITCH OFF THE MACHINE BEFORE CONNECTING OR DISCONNECTING HOSE.
NOT TO BE USED FOR GROOMING A PET.

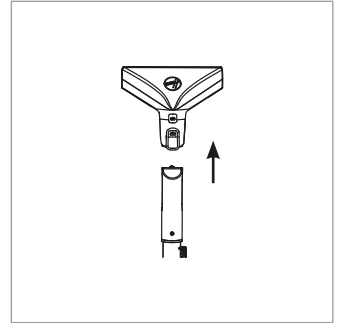
HOW TO ATTACH AND REMOVE THE TOOLS



To ensure maximum performance and to protect your carpet, be sure to place the handle in the upright position while using the hose. Placing the handle in the upright position shuts off the FlexForce PowerBrush.



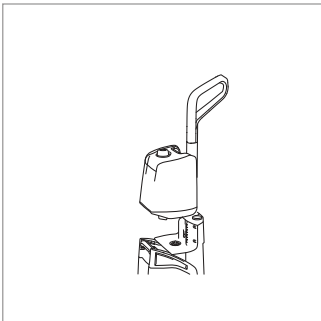
Connect tool to hose by sliding it onto the connector until it securely locks into place.



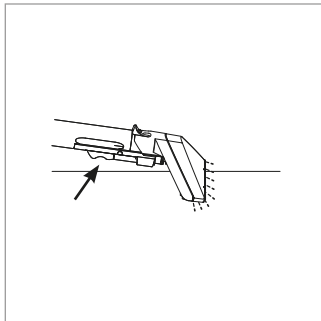
To remove tool, use your thumb, push forward and up on the latch.

CLEANING CARPETED STAIRS AND UPHOLSTERY

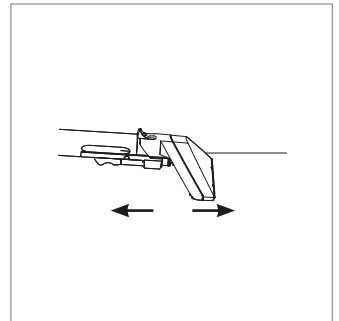
CAUTION: USE EXTRA CARE WHEN CLEANING ON STAIRS. TO AVOID PERSONAL INJURY OR DAMAGE, AND TO PREVENT THE CLEANER FROM FALLING, ALWAYS PLACE CLEANER AT THE BOTTOM OF STAIRS OR ON FLOOR. DO NOT PLACE CLEANER ON STAIRS OR FURNITURE, AS IT MAY RESULT IN INJURY OR DAMAGE.



Fill Clean Water Tank with clean water and Hoover® solution according to instructions. Attach tool to end of hose and turn cleaner ON.



Pre-spray the area by pressing the trigger on the hose to release solution/water about 3cm above the carpet/ upholstery.



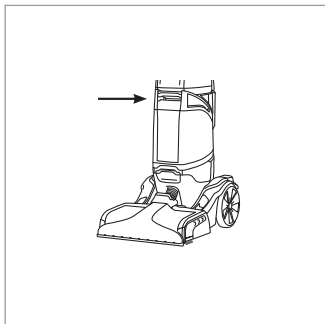
Squeeze the trigger on the forward stroke and release the trigger on the backward stroke to pick up water/ solution. For a dryer finish, follow with an additional dry stroke with no trigger pressed. Overlap strokes to help prevent streaking. To avoid saturation, do not use more than four wet strokes over any one area. Always end with dry strokes.

CLEANING AND MAINTENANCE

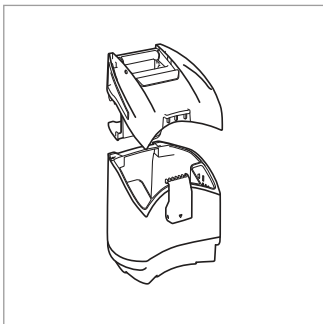
ALWAYS SWITCH OFF AND UNPLUG THE CLEANER BEFORE PERFORMING ANY MAINTENANCE OR TROUBLESHOOTING.

HOW TO EMPTY THE DIRTY WATER TANK

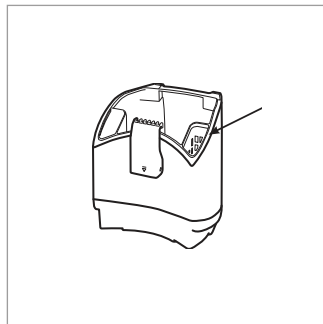
IMPORTANT: Empty the Dirty Water Tank when the motor sound becomes higher pitched and there is a loss in suction. When the Dirty Water Tank is full, the float will rise, shutting off the air flow through the Nozzle.



Grab the Dirty Water Tank handle and pull up to release. Remove Tank from carpet cleaner base at an angle.



Place on a flat surface and unlatch Dirty Water Tank lid to remove top of tank.

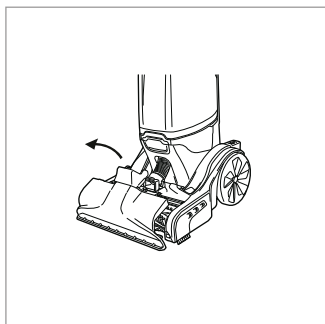


Empty tank, rinse, and allow to air dry. Keeping the filter clean is critical to maintain strong suction performance.

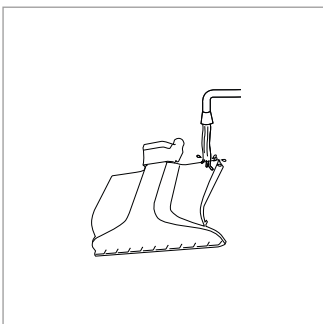
IMPORTANT: Empty and rinse out Clean Water Tank and Dirty Water Tank, and leave to air dry before replacing. Do not leave solution stored in the tank between uses. For full suction, it is important that the Dirty Water Tank is properly secured.

HOW TO REMOVE & CLEAN NOZZLE

IMPORTANT: To prevent possible leaking, remove and empty Clean Water Tank and Dirty Water Tank. Pull Nozzle carefully outwards and not upwards.



With handle in upright position, lift up on the Nozzle release then pull Nozzle forward to remove from carpet cleaner.

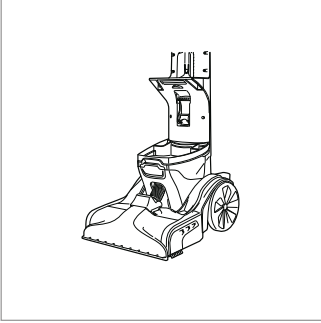


Rinse debris from Nozzle (max 40°C) to remove dirt/debris.

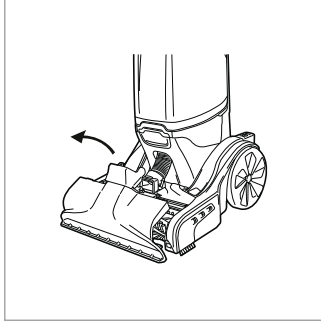
NOTE: Incorrect fitment of the Nozzle will cause poor dirty water pick up. Carpets should be dry vacuumed thoroughly before washing. This will help prevent excessive build up of dirt/debris in the Nozzle.

HOW TO REMOVE & CLEAN THE BRUSH ROLL

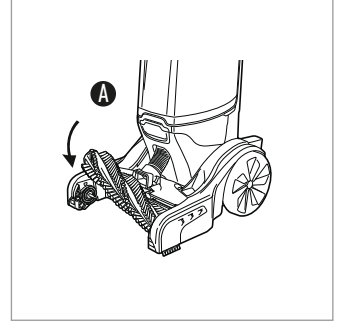
WARNING! Risk of personal injury – brush roll may suddenly restart – switch off and unplug cleaner before cleaning or servicing.



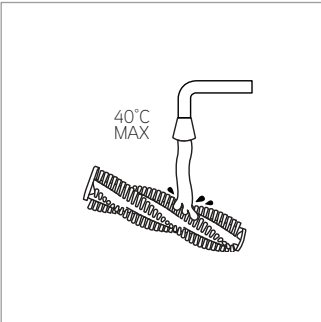
To prevent possible leaking, remove Clean Water Tank and Dirty Water Tank.



With handle in upright position, lift up on the Nozzle release then pull Nozzle forward to remove from carpet cleaner.



Grab Side A and pull up to remove.

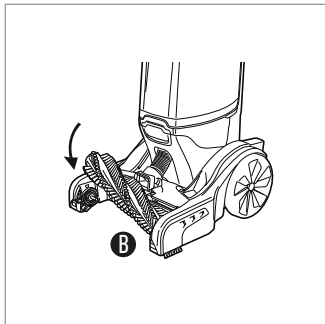


The brush roll can be cleaned under running water.

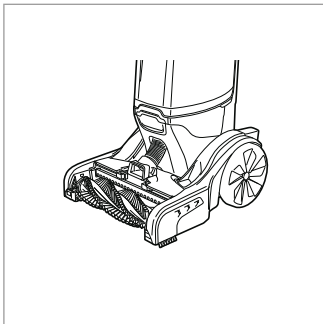
CLEANING AND MAINTENANCE

HOW TO REPLACE THE BRUSH ROLL

WARNING! Risk of personal injury – brush roll may suddenly restart – switch off and unplug cleaner before cleaning or servicing.



At an angle, align side B on the brush to the drive gear.



Press Tab A down until brush snaps in place.

IMPORTANT: Before storing: Empty Clean Water Tank and let air dry. Replace on cleaner. Empty Dirty Water Tank, clean filter of dirt/debris, rinse tank and lid thoroughly with clean water and let air dry. Allow brush and underside of carpet cleaner to air dry thoroughly before storing carpet cleaner on a carpeted or wood surface. Wrap the power cord around the cord hooks for convenient storage. Attach the plug end to the cord.

ALWAYS SWITCH OFF AND UNPLUG THE CLEANER BEFORE PERFORMING ANY MAINTENANCE OR TROUBLESHOOTING.

PROBLEM	POSSIBLE CAUSE	POSSIBLE SOLUTION
Cleaner won't run	<ol style="list-style-type: none"> 1. Not firmly plugged in 2. No voltage in wall plug 3. Blown fuse or tripped breaker 4. Fuse in cleaner blown 	<ol style="list-style-type: none"> 1. Plug unit in firmly. 2. Check fuse or breaker in home. 3. Replace fuse or reset breaker in home. 4. Call Customer Service at 1300 698 130 (AUS) 0800 126 688 (NZ) prior to continuing use.
Low suction	<ol style="list-style-type: none"> 5. On/Off pedal not depressed 1. Dirty Water Tank full/automatic shut off engaged 2. Blockage in tool on end of hose 3. Dirty Water Lid not on correctly 4. Dirty Water Tank Debris Filter clogged 5. Blockage in Nozzle 6. Dirty Water Tank not properly secured 7. Dirty Water Nozzle not on correctly 8. Blockage in hose 	<ol style="list-style-type: none"> 5. Press pedal. 1. Remove and empty Dirty Water Tank. See "How to Empty the Dirty Water Tank". 2. Remove tool and clear blockage. 3. Make sure lid is on securely. See "How to Empty the Dirty Water Tank" 4. See "How to Empty the Dirty Water Tank" 5. See "How to Remove & Clean Nozzle" 6. Replace Dirty Water Tank and secure Dirty Water Tank latch. 7. Remove and replace Dirty Water Nozzle. See "How to Remove & Clean Nozzle" 8. Clear with broom handle.
Hose Nozzle stops spraying liquid during use	<ol style="list-style-type: none"> 1. Clean Water Tank is empty 2. Loose connection to solution port on foot of cleaner 	<ol style="list-style-type: none"> 1. Turn off cleaner and fill Clean Water Tank. 2. Check for secure connection to solution port on body of cleaner.
Accessory Tool will not spray after filling the Clean Water Tank	<ol style="list-style-type: none"> 1. Air is trapped in the hose & pump 	<ol style="list-style-type: none"> 1. Turn on the Cleaner. If hose does not spray, prime the pump by lowering the hose down to the floor and hold the trigger for up to one minute. 2. Aim downward & squeeze trigger.
Hose will not spray after priming pump	<ol style="list-style-type: none"> 1. Pump is defective 2. Not connected properly 	<ol style="list-style-type: none"> 1. Call for service: 1300 698 130 (AUS) 0800 126 688 (NZ) 2. Check connection.
Clean water won't dispense	<ol style="list-style-type: none"> 1. Clean Water Tank not firmly in place 2. Clean Water Tank empty 	<ol style="list-style-type: none"> 1. Make sure tank is securely locked in position. 2. Refill container according to cleaning instructions.
Brush roll won't rotate during floor cleaning	<ol style="list-style-type: none"> 1. Brush roll stall protection activated 2. Unit in upright position 	<ol style="list-style-type: none"> 1. Turn the unit off and back on, then inspect and clean for jams. 2. Brush roll will not rotate in upright position. Step on handle release to start cleaning.
Water is leaking out of Carpet Cleaner	<ol style="list-style-type: none"> 1. Clean Water Tank or Dirty Water Tank not FIRMLY in place. 	<ol style="list-style-type: none"> 1. Make sure the tank is secure. 2. Carpet Cleaner may drip residual moisture after use. Allow cleaner and brush roll to dry before storing on hard floor surface.



HOOVER.COM.AU
HOOVER.CO.NZ