



**ONE  
PWR**  
SYSTEM

**CORDLESS**

# BLADE+ BLADEMAX

Cordless Vacuum

User Guide

F18SVOP21G  
F18SVOP21H2





## 2 IMPORTANT SAFETY INFORMATION

This machine is intended for household use only and NOT for commercial or industrial use.

PLEASE KEEP INSTRUCTIONS FOR FURTHER USE AND USE ONLY AS INSTRUCTED IN THIS GUIDE.

- Don't leave the charger plugged in when unattended.
- Don't use the machine if it is faulty or has been dropped, damaged or left outdoors.
- Don't use the machine to pick up any flammable or combustible materials (lighter fluid, petrol, kerosene etc.) or use the machine in an area with explosive vapours or liquid.
- Don't use the machine to pick up hot coals, cigarette butts, matches or smoking hot burning items or use in an area where there may be harmful fluids (chlorine, bleach and ammonia drain cleaner).
- Don't handle the charger, battery or use the machine with wet hands.
- Don't unplug the charger by pulling on the power cord.
- Don't use the charger if the power cord or plug is damaged.
- Don't attempt to remove blockages with sharp objects as this may cause damage to the machine.
- Don't use the machine with the incorrect battery or charger as this may result in damage or injury to the user. The correct battery charger information is listed on the battery pack ratings label.
- Don't charge the battery outdoors, or leave the charger connected to the mains when not in use.
- Don't use the machine with a damaged battery. If the battery is damaged return the machine, battery and charger to the point of purchase.
- Don't over fill the dirt container to avoid blocking the air flow through the machine.
- The brushbar in the powered head constantly rotates when switched on. Never use the powered head on one spot for an extended period of time as the brushbar may damage the floor surface.
- Only Hoover ONEPWR batteries and chargers should be used with this machine.
- Only Hoover ONEPWR recommended tools and accessories should be used with this machine.
- Always remove the battery from the machine before carrying out any maintenance or if storing unused for a long period of time.
- Keep all openings clear and free from debris as this may affect the airflow/suction.
- Turn off all controls on the machine before disconnecting or connecting the battery.
- Always protect the charger power cord from heated surfaces or near open flames.
- Only use the machine indoors on dry surfaces and keep the area you're cleaning well lit.
- The power cord cannot be replaced. If the cord is damaged the charger should be scrapped.
- Do not use this charger to charge non-rechargeable batteries.





## IMPORTANT SAFETY INFORMATION **3**

- This appliance is not intended for use by persons (including children) with reduced physical, sensory or mental capabilities, or lack of experience and knowledge, unless they have been given supervision or instruction concerning use of the appliance by a person responsible for their safety.
- Children should be supervised to ensure that they do not play with the appliance.
- Keep fingers, hair and loose clothing away from moving parts and openings whilst using the machine.
- Store the machine in a cool, dry area. Keep the machine away from rain and moisture.
- Take extra care when using the machine on the stairs.
- Use only Australian/New Zealand approved 10amp extension cords, non-approved extension cords may overheat. Care should be taken to arrange the extension cord as it can be a trip hazard.
- Always turn the powered head brushbar off when cleaning hard floors. To prevent any damage being sustained, test on an inconspicuous area of the flooring first.
- Always make sure the separator and filter are fitted correctly before using your machine and only use the machine with the filter and separator in place.
- Always check the powered head and accessories are free from damage, dirt and debris before using.
- This machine does not stay upright without constant support. Between uses, lie flat on the floor in a suitable location so that it does not become a trip hazard or can be stepped on.

### BATTERY SAFETY PRECAUTIONS

- Replace the battery with a Hoover ONEPWR battery only. Use of another battery may present a risk of fire or explosion.
- Do not attempt to disassemble the battery, remove any component projecting from the battery terminals and do not dispose of in a fire.  
The battery and charger have no user serviceable parts. Fire or injury may result.
- Prior to disposal, protect exposed terminals with heavy insulating tape to prevent shorting. The battery is to be disposed of safely at your local battery recycling centre.
- When the battery pack is not in use, keep it away from other metal objects that can make a connection from one terminal to another. Shorting the battery terminals together may cause burns or a fire.
- In case of battery leakages, avoid any contact with skin. Return the machine, battery and charger to the point of purchase.



## 4 GENERAL INFORMATION

### Service and Help

If you have any queries or concerns about using your Hoover cordless vacuum, visit [hoover.com.au](http://hoover.com.au) / [hoover.co.nz](http://hoover.co.nz).

### Consumables

To purchase spares and accessories, please visit [hoover.com.au](http://hoover.com.au) / [hoover.co.nz](http://hoover.co.nz). The use of genuine Hoover spare parts helps to maintain optimised performance and validates your warranty.

### Technical Specifications

	F18SVOP21G	F18SVOP21H2
Weight (without battery pack)	2.9kg	2.8kg
Dirt Bin Capacity	0.6L	0.6L
Runtime:	Up to 45mins	Up to 45mins
Charge Time	3.5 hours	3.5 hours
Battery Voltage	18V Li-Ion	18V Li-Ion

Runtime and charge time based on a single 4.0Ah battery pack (F18BTOP21J4). Subject to technical change without notice.

### Battery Specification:

MODEL	TYPE	RATED VOLTAGE	RATED CAPACITY	CELL NUMBER
F18BTOP21J4	Li-Ion	18V	4.0Ah	5

### Description of Symbols:



Regulatory  
Compliance  
Mark



For Indoor  
Use Only



Read User  
Manual

### Distributed By:

Techtronic Industries Australia Pty Ltd  
31 Gilby Road, Mount Waverley, VIC, 3149, Melbourne,  
Australia  
[www.hoover.com.au](http://www.hoover.com.au)

### BH05000ANZ Charger:

T1.25A



Time-lag  
Fuse 1.25A



Efficiency  
Rating

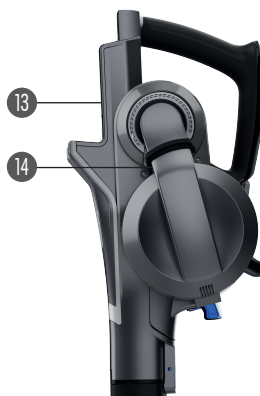
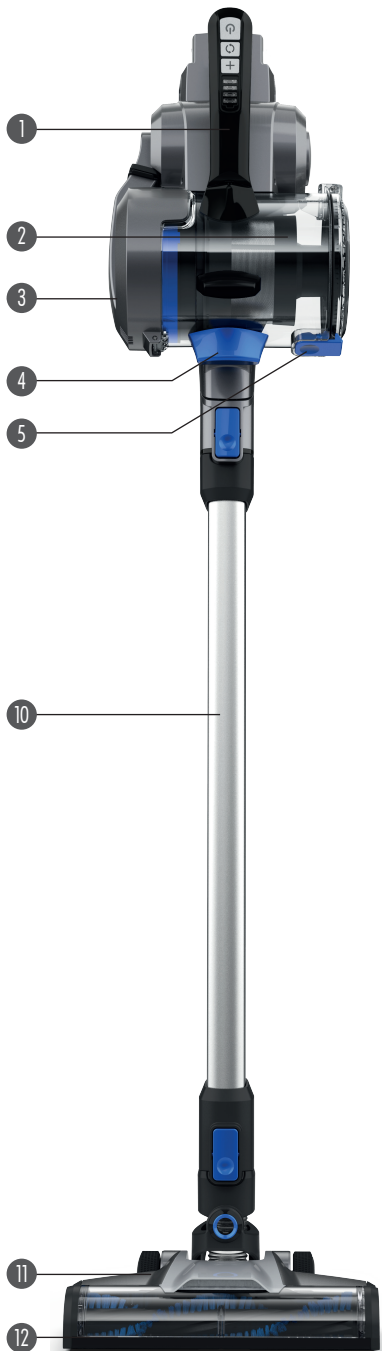


Class II  
Equipment

Techtronic Industries N.Z. Limited  
Unit C, 70 Business Parade South, Highbrook, Auckland,  
2013, New Zealand  
[www.hoover.co.nz](http://www.hoover.co.nz)



# MACHINE OVERVIEW 5



- 1 Carry handle
- 2 Dirt container
- 3 Filter cover and filter
- 4 Dirt container release latch
- 5 Dirt release button
- 6 Power ON/OFF
- 7 Brushbar ON/OFF
- 8 Boost ON/OFF
- 9 Battery level indicator light
- 10 Reach wand
- 11 Powered head
- 12 Brushbar
- 13 Battery dock
- 14 Filter cover release tab (hidden)
- 15 Crevice tool
- 16 Dusting brush
- 17 Crevice tool storage caddy
- 18 Wall mount screws and wall plugs
- 19 Upholstery tool
- 20 ONEPWR charger\*
- 21 1x ONEPWR battery\*
- 22 Motorised pet tool\*\*
- 23 Microfibre hard floor head\*\*
- 24 2x ONEPWR batteries\*\*

## Accessories



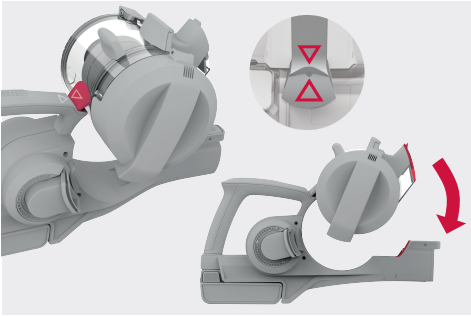
\*21 is only available with model F18SVOP21G.

\*\*22, 23 and 24 are only available with model F18SVOP21H2.

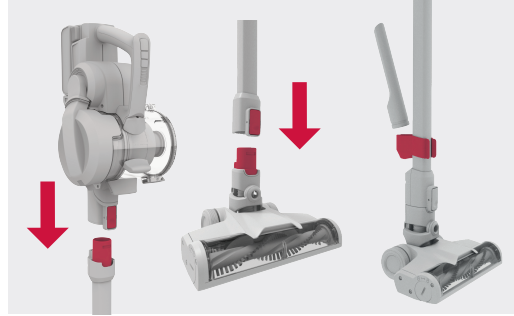


## 6 OPERATION

### Assembly

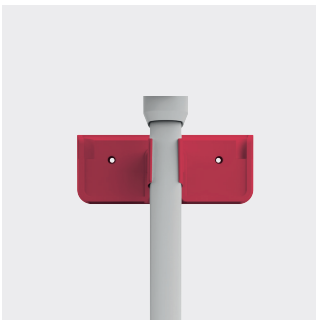


To assemble the dirt container, line up the arrow on the dirt container connection with the arrow on the handle. Push the dirt container onto the handle until it clicks into place.



Attach the handheld to the reach wand until it clicks into place. Attach the reach wand to the powered head until it clicks into place. Push the tool caddy onto the reach wand and slot the crevice tool into place.

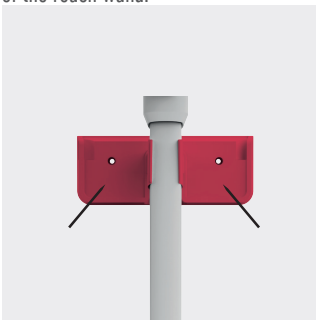
### Attaching the wall mount



Without the handheld attached to the reach wand and powered head, push the wall bracket onto the top and back of the reach wand.



Choose a location for the machine to be stored, preferably near to a mains supply although not directly above or below a mains socket. Stand the machine powered head and wand against the wall, ensuring the powered head is flat on the floor.



Holding the wall bracket securely against the wall, make a small mark for each screw. Secure the wall bracket to the wall using the wall plugs and screws.



The dusting brush can be fitted onto the wall bracket.



Fully assemble the machine and firmly press the machine into the wall bracket to secure. Always ensure the machine is securely locked into place.

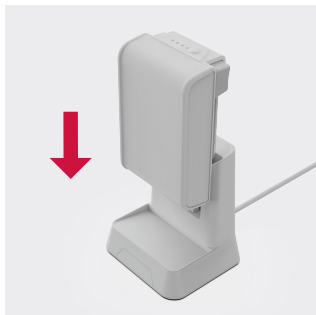


# OPERATION 7

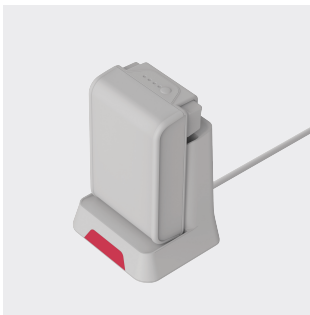
## Charging the battery

**IMPORTANT:** THIS MACHINE IS ONLY TO BE USED WITH HOOVER ONEPWR BATTERIES AND CHARGER. PLEASE READ THE SAFETY INFORMATION BEFORE USE.

Before first use, ensure the battery is fully charged. Failure to fully charge the battery before first use may result in poor battery performance. The life expectancy of the battery will vary depending on the usage of the machine.



Slide the battery down on to the charger.



The charger light will flash white to show when the battery is charging. The light on the charger will stop flashing and go off when the battery is fully charged.



Once fully charged, slide the battery off the charger to remove.

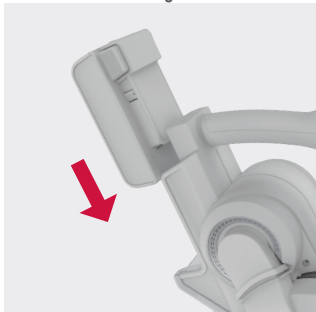


To check the battery charge level press the battery symbol.

**NOTE:** If the light on the charger flashes red, there is an error with the battery or the charger. Try again or contact Customer Service for support. During charging, the battery and ambient temperature should be between 5 and 30°C. The charger will sense if the battery, or ambient temperature, is too cold or too hot, and will return an error code (red light will remain on) and not charge the battery until ambient temperature is reached.

## Inserting the battery

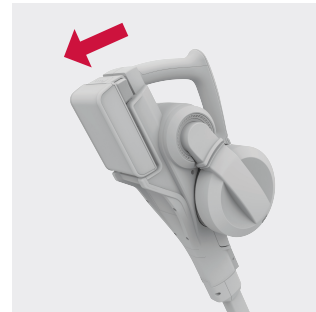
**CAUTION:** The brushbar in the powered head constantly rotates when switched on. Never use the powered head on one spot for an extended period of time as the brushbar may damage the floor surface. Always turn the powered head brushbar off when cleaning hard floors. To prevent any damage being sustained, test on an inconspicuous area of the flooring first.



Slide the battery into the handheld until it clicks into place.



Place your foot on the powered head.



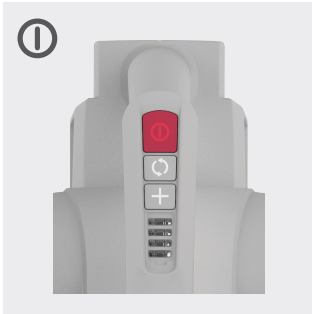
Pull the handle backwards to recline.





## 8 OPERATION

### Using the cordless vacuum and tools



Press the on/off button to switch the machine on.



Press the brushbar on/off button to switch the brushbar on.

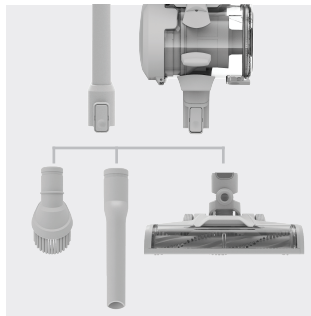


Press the boost button on to increase the suction for particularly dirty areas.

**IMPORTANT:** The powered head brushbar should be ON for carpets and OFF for hard floors. Constant use of the boost mode and brushbar will reduce the battery run time.



When the machine is in use the battery level indicator lights will illuminate indicating how much charge is remaining. When less than 20% charge is remaining the bottom light will flash red indicating the battery is running low and charging is required.



All of the accessories, including the powered head can be attached directly onto the handheld or the reach wand. The crevice tool and dusting brush can be used for hard to reach places and at different heights for above floor cleaning.

**CAUTION:** If the brushbar in the powered head has been obstructed, the brushbar motor protection sensor may have been activated. The brushbar will stop, the light on the powered head will illuminate red and the machine may switch off. To reset remove the powered head from the reach wand/handheld and clear any obstruction. Wait 1 minute before refitting the powered head tool, switch the machine on and press the brushbar ON/OFF button.

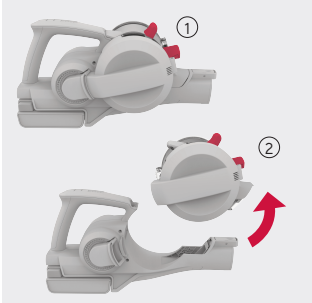




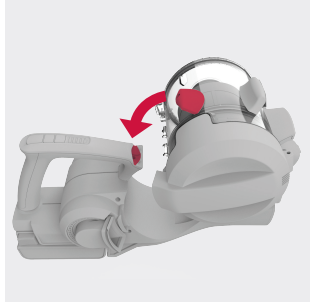
# MAINTENANCE 9

## Removing and refitting the dirt container

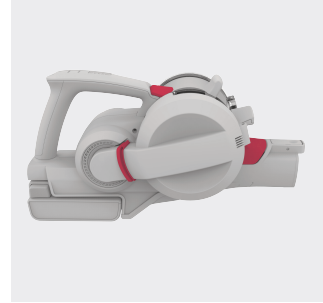
**CAUTION:** Always remove the battery before carrying out any maintenance or troubleshooting.



1. Squeeze the latch on the dirt container to release.
2. Tilt and lift to remove from the handheld.



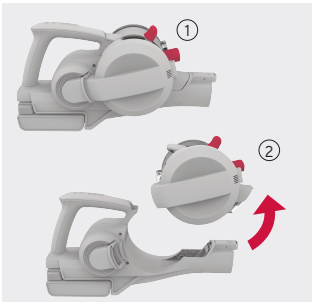
To refit, line up the dirt container connection with the handheld handle. Push the dirt container back onto the handle until it clicks into place.



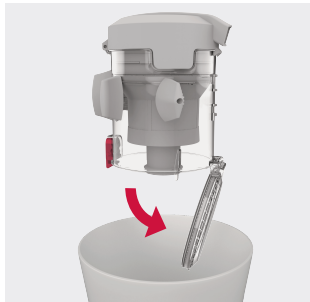
When correctly fitted all 3 connection points will be aligned and will sit flush.

## Emptying the dirt container

**CAUTION:** Don't over fill the dirt container to avoid blocking the air flow through the machine. For best cleaning results, empty the dirt container after every use. Filters should be tapped over a bin every 4-6 uses to remove dirt and debris and washed every 3 months. Filters should be replaced every 6-9 months depending on the level of use.



1. Squeeze the latch on the dirt container to release.
2. Tilt and lift to remove from the handheld.



Hold the dirt container over a bin and press the dirt release button to allow dirt and debris to fall out.



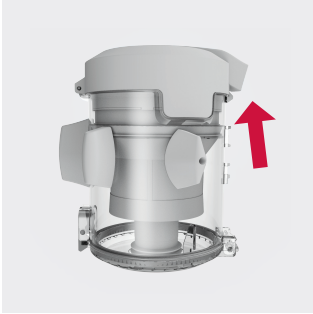
To close, push the dirt release door until it clicks into place.



# 10 MAINTENANCE

## Cleaning the filter and separator

**CAUTION:** Always remove the battery before carrying out any maintenance or troubleshooting.



Push the tab on the lid of the dirt container and lift the cover to access the filter.



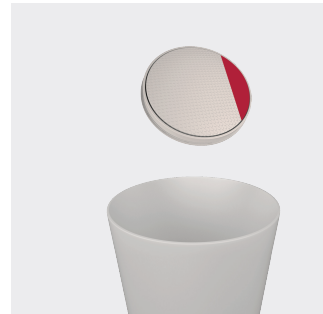
Lift the filter and separator from the dirt container.



Tap the separator over a bin to remove dirt and debris and wipe over the metal shroud with a dry cloth.



Pull the tab on the filter to remove the filter from the separator.



Tap the filter against the bin to remove any dirt and debris.



Wash the filter under running water (40°C max). Leave for at least 24hrs or until fully dry before replacing.

**CAUTION:** Ensure both the filter and separator are refitted before use.



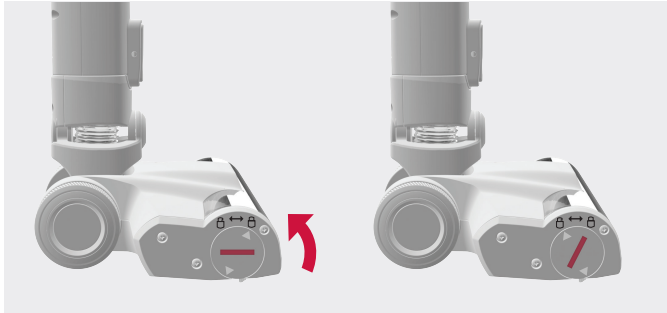


## MAINTENANCE 11

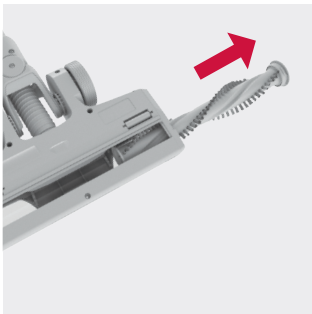
### Cleaning and replacing the powered head brushbar



Press the floorhead release button to remove the floorhead from the machine.



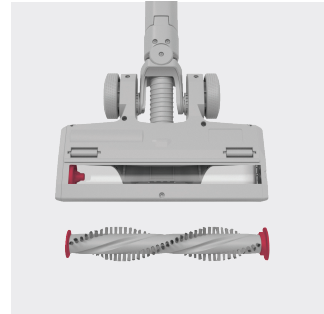
Using a coin, push and turn the brushbar lock anticlockwise to release the brushbar.



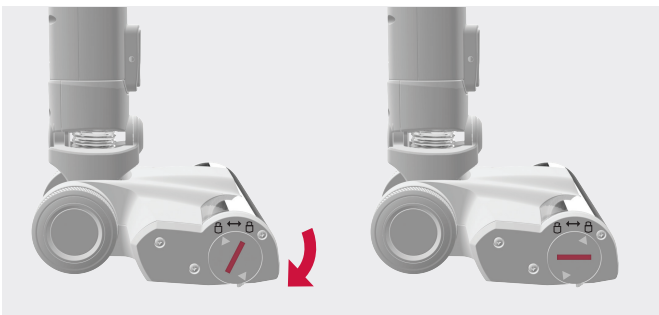
Pull the brushbar out from the brushbar housing.



To remove any threads or hair, slide the blade of a pair of scissors into the groove on the brushbar and cut along the groove.



Clear any dirt/debris from the end caps and inside the housing of the powered head.

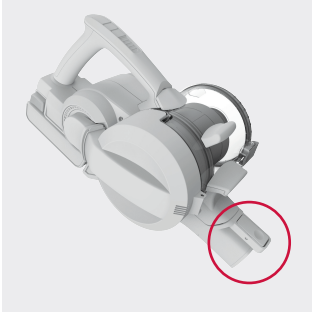


Refit the brushbar into the floorhead. Align the arrow on the brushbar cover so it points north, firmly push and twist clockwise to lock.



## 12 MAINTENANCE

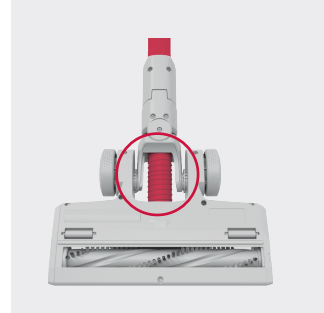
### Checking for blockages



Press the handheld release button and remove the reach wand. Check and clear any dirt and debris from the handheld connection point.



Press the dirt container release button and remove the dirt container. Check and clear any dirt and debris from behind the dirt container flap.



Check the powered head for any blockages and use a blunt object to remove the blockage.



To test for a blockage in the reach wand, drop a small ball of paper into the wand. The paper will drop through if the wand is clear. Use a broom handle or similar blunt object to remove any blockage.





# Troubleshooting **13**

**CAUTION:** To reduce the risk of personal injury, remove the battery from the cordless vacuum before performing maintenance/troubleshooting checks.

## Is there an accessory missing?

Check the contents on the back of the box.

## Why does the machine have no power?

- The battery is not fitted correctly. See 'Inserting the battery'.
- The battery has no charge. See 'Charging the battery'.
- The motor thermostat may have tripped. Empty the dirt container and check for blockages. Clean the filters and allow the machine to cool for approximately 1 hour. If you have washed the filters, wait 24 hours to fully dry before placing back on the machine. See 'Cleaning the filter and separator'.
- The brushbar motor sensor has been activated. To reset remove the powered head from the reach wand/handheld and clear any obstruction. Wait 1 minute before refitting the powered head, switch the machine on and press the brushbar ON/OFF button. See 'Using the cordless vacuum'.

## Why won't the machine pick up?

- The dirt container may not be correctly fitted. See 'Removing and refitting the dirt container'.
- The dirt container may be blocked. Check the dirt container and handheld inlet for blockages. See 'Emptying the dirt container'.
- The filters may be clogged. See 'Cleaning the filter and separator'.
- There may be a blockage. See 'Checking for blockages'.
- The brushbar on the powered head has not been activated. See 'Using the cordless vacuum and tools'.
- The powered head may be blocked. See 'Cleaning and replacing the powered head brushbar'.
- The machine, powered head and reach wand may not be correctly fitted. See 'Assembly'.

## Why is there a red light?

- Battery charge is running low (<20%). See 'Charging the battery'.

## Why is there a red light on the powered head?

- The powered head brushbar has been obstructed. See 'Cleaning and replacing the powered head brushbar'.

## Why won't the brushbar turn?

- The brushbar on the powered head has not been activated. See 'Using the cordless vacuum and tools'.
- The tool/brushbar may be obstructed. See 'Cleaning and replacing the powered head brushbar'.
- The machine, powered head and reach wand may not be correctly fitted. See 'Assembly'.



®

HOOVER.COM.AU  
HOOVER.CO.NZ