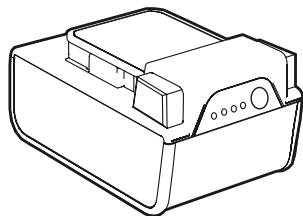




HOOVER ONEPWR™ 18V LITHIUM-ION BATTERY PACK

USER GUIDE

MODEL NUMBERS:
F18BTOP21J4
BH29040ANZ
BH29040ANZV



IMPORTANT SAFETY INSTRUCTIONS SAVE THESE INSTRUCTIONS

USE THE BATTERY PACK FOR HOOVER ONEPWR™ 18V CORDLESS PRODUCTS ONLY.

WARNING: READ AND UNDERSTAND ALL INSTRUCTIONS. Failure to follow the warnings and instructions may result in electric shock, fire and/or serious injury.

The product is not intended for use by persons (including children) with reduced physical, sensory or mental capabilities, or lack of experience and knowledge, unless they have been given supervision or instruction concerning use of the product by a person responsible for their safety. Children should be supervised to ensure that they do not play with the product. Please read and observe these instructions before using the product.

- When battery pack is not in use, keep it away from other metal objects such as paper clips, coins, keys, nails, screws or other small metal objects that can make a connection from one terminal to another. Shorting the battery terminals together may cause sparks, burns or fire.
- Do not place battery tools or their batteries near fire or heat. This will reduce the risk of explosion and possible injury.
- Do not crush, drop or damage battery pack. Do not use a battery pack or charger that has been dropped or received a sharp blow. A damaged battery is subject to explosion. Properly dispose of a dropped or damaged battery immediately.
- Batteries can explode in the presence of a source of ignition, such as a pilot light. To reduce the risk of serious personal injury, never use any cordless product in the presence of open flame. An exploded battery can propel debris and chemicals. If exposed, flush with water immediately.
- Do not charge battery tool in a damp or wet location. Following this rule will reduce the risk of electric shock.
- For best results, charge the battery tool in a location where the temperature is more than 10°C but less than 37°C. To reduce the risk of serious personal injury, do not store outside or in vehicles.
- Under extreme usage or temperature conditions, battery leakage may occur. If liquid comes in contact with the skin, wash immediately with soap and water, then neutralise with lemon juice or vinegar. If liquid gets into the eyes, flush them with clean water for at least 10 minutes, then seek immediate medical attention. Following this rule will reduce the risk of serious personal injury.

⚠ WARNING! ⚠ RISK OF FIRE, PROPERTY DAMAGE, AND INJURY. NEVER EXPOSE YOUR BATTERY PACK OR CHARGER TO WATER, MOISTURE, OR FLUIDS, INCLUDING BUT NOT LIMITED TO CORROSIVE OR CONDUCTIVE FLUIDS, OR ALLOW FLUIDS TO FLOW INSIDE THESE ITEMS. Corrosive or conductive fluids, such as salt water, chlorine, certain industrial chemicals, and bleach or bleach containing products, etc., can cause a short circuit in the battery pack. If your battery pack is exposed to a corrosive or conductive fluid, do not attempt to use or charge the battery pack and immediately contact Customer Service by calling (AUS) 1300 698 130 / (NZ) 0800 126 688. for additional instructions on the proper disposal of the exposed battery pack(s).

TRANSPORTING LITHIUM BATTERIES

Transport the battery in accordance with local and national provisions and regulations. Follow all special requirements on packaging and labelling when transporting batteries by a third party. Ensure that no batteries can come in contact with other batteries or conductive materials while in transport by protecting exposed connectors with insulating, non-conductive caps or tape. Do not transport batteries that are cracked or leaking. Check with the forwarding company for further advice.

INTENDED USE


Use the battery pack with Hoover ONEPWR™ cordless products only.

RESIDUAL RISKS

Even when the product is used as prescribed, it is still impossible to completely eliminate certain residual risk factors. The following hazards may arise and the operator should pay special attention to avoid the following:

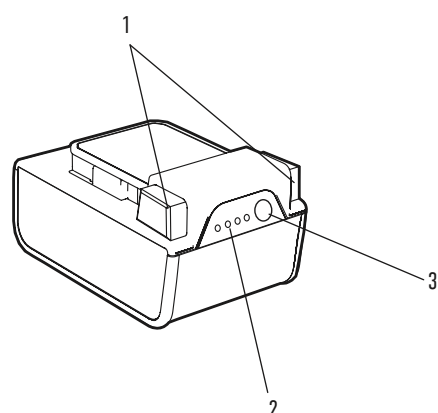
- Use the product only for its intended use. Do not alter or modify the product from the original design or function.
- Always be aware that misuse and improper handling of the product can cause injury to yourself and others.

ENVIRONMENTAL PROTECTION

-  Recycle raw materials instead of disposing as waste. Please recycle where facilities exist. Check with your local authority or retailer for recycling advice.

KNOW YOUR PRODUCT

1	Latches
2	Charge Level Indicator
3	Charge Level Indicator Button



MAINTENANCE

These batteries have been designed to provide maximum trouble-free life. However, like all batteries, they will eventually wear out. Do not disassemble battery pack and attempt to replace the batteries. Handling of these batteries, especially when wearing rings and jewellery, could result in a serious burn.

For battery pack storage longer than 30 days:

- Store the battery pack where the temperature is below 27°C and away from moisture.
- Store battery packs in a 30%-50% charged condition.
- Every six months of storage, charge the pack as normal.

WARNING:

Upon removal, cover the battery pack's terminals with heavy-duty adhesive tape. Do not attempt to destroy or disassemble battery pack or remove any of its components. Batteries must be recycled or disposed of properly. Also, never touch both terminals with metal objects and/or body parts as short circuit may result. Keep away from children. Failure to comply with these warnings could result in fire and/or serious injury.

OPERATION

LITHIUM ION BATTERY PACKS


Power from battery pack will drop during use until the minimum protection cut off is reached. Once this happens, recharging of the battery is required. It is not necessary to drain the battery pack completely before recharging.

BATTERY PROTECTION FEATURES

Lithium-ion battery packs are designed with features that protect the lithium-ion cells and maximize battery life. If the product stops during use, release the trigger to reset and resume operation. If the product still does not work, the battery needs to be recharged.

CHARGE LEVEL INDICATOR

To display the amount of charge left in the battery, press the charge level indicator button:

Charge Level Indicator	Amount of Charge Left
 ○ ○ ○	0-10%
● ○ ○ ○	10-25%
● ● ○ ○	25-50%
● ● ● ○	50-75%
● ● ● ●	75-100%

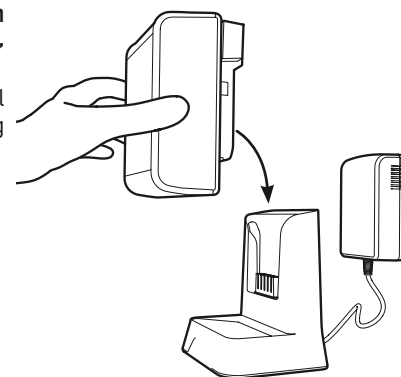
CHARGING THE BATTERY PACK

The vacuum may stop during use to prevent overheating or overloading of the battery. In this case, turn the vacuum off to reset, and then resume operation. If this does not reactivate the tool, the battery is completely discharged and needs to be charged in a compatible charger.

NOTE: Battery packs are shipped in a low charge condition to prevent possible problems during transportation. Therefore, you should charge prior to first use.

If the charger does not charge the battery pack under normal circumstances, contact Customer Service by calling (AUS) 1300 698 130 / (NZ) 0800 126 688.

- Charge the battery pack only with the recommended charger.
- Refer to the charger's user guide for charging instructions.
- During charging, the pack and ambient temperature should be between 5 and 30°C.
- The charger will sense if the pack, or ambient temperature, is too cold or too hot, and will return an error code (red flashing light) and not charge the pack.



CHARGING A HOT BATTERY PACK

When using a product continuously, the battery pack may become hot. A hot battery pack may be placed directly onto the charger port but charging will not begin until the battery temperature cools to within acceptable temperature range. When a hot battery pack is placed on the charger, the charger may indicate the pack is not ready to charge. Please refer to charger operator's manual. When the battery pack cools, the charger will automatically begin charging.

CHARGING A COLD BATTERY PACK

A cold battery pack may be placed directly onto the charger port but charging will not begin until the battery temperature warms to within acceptable temperature range. When a cold battery pack is placed on the charger, the charger may indicate the pack is not ready to charge. Please refer to charger operator's manual. When the battery pack warms, the charger will automatically begin charging.

BATTERY DISPOSAL WARNING: RISK OF EXPLOSION OR EXPOSURE TO TOXIC MATERIAL.

DISTRIBUTED BY:
Techtronic Industries Australia Pty Ltd
31 Gilby Road, Mount Waverley, VIC, 3149, Melbourne, Australia
Customer Careline: 1300 698 130

Techtronic Industries N.Z. Limited
Unit C, 70 Business Parade South, East Tamaki, Auckland, 2013,
New Zealand
Customer Careline: 0800 126 688



SPECIFICATIONS

MODEL	TYPE	RATED VOLTAGE	RATED CAPACITY	CELL NUMBER
F18BTOP21J4	Li-Ion	18V	4.0Ah	5
BH29040ANZ	Li-Ion	18V	4.0Ah	5
BH29040ANZV	Li-Ion	18V	4.0Ah	5



HOOVER.COM.AU
HOOVER.CO.NZ

